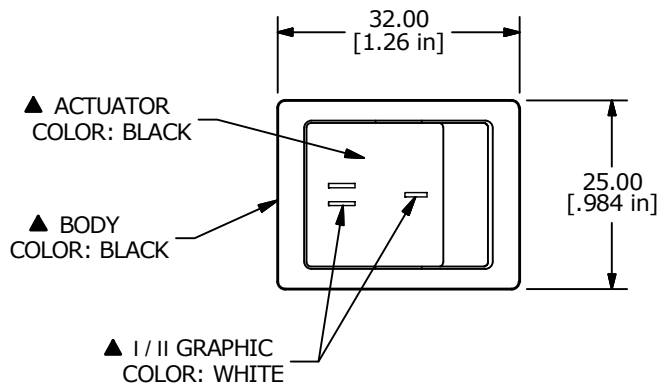
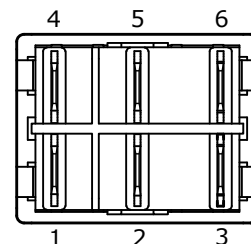
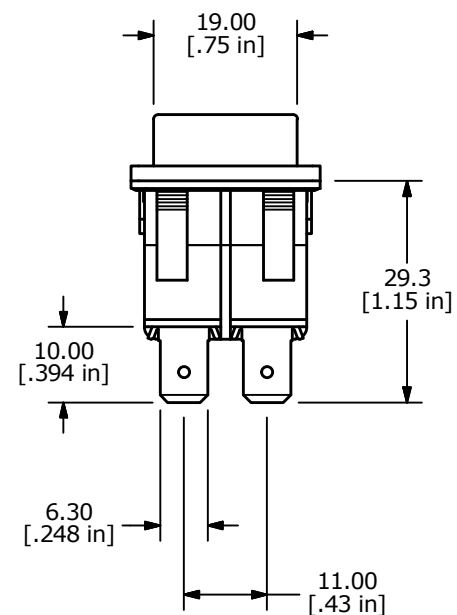
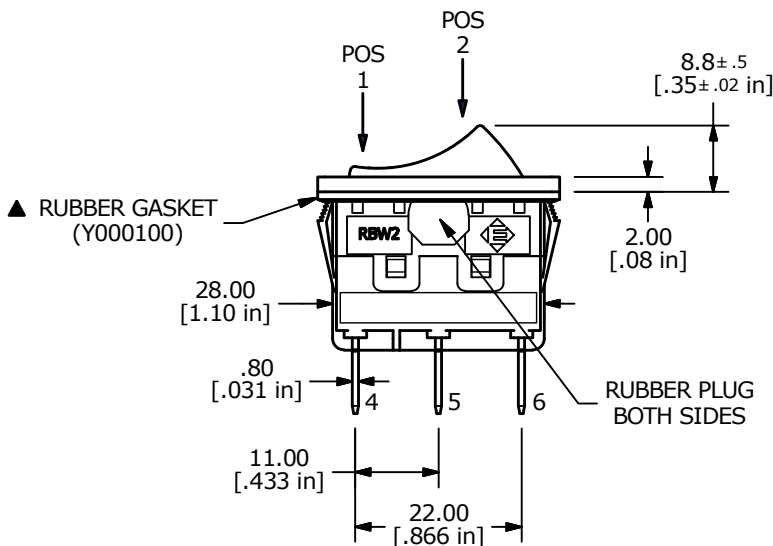
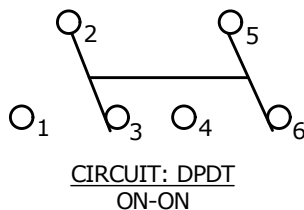


RECOMMENDED PANEL MOUNTING

PANEL THICKNESS	X
1.2-1.8	29.9/30.0
1.8-2.4	30.3/30.4
2.4-3.0	30.7/30.8



SWITCH FUNCTION	
POS. 1	POS. 2
ON	ON
2-3, 5-6	2-1, 5-4



▲ RUBBER GASKET (Y000100)

RUBBER PLUG BOTH SIDES

NOTES:

1. ALL DIMENSIONS IN MM [INCH]
2. GENERAL TOLERANCE: X.X = ±0.4
X.XX = ±0.25
3. TERM. NUMBERS FOR REF. ONLY
4. RATING: CUL: 16(16)A 125VAC 5E4 T85
1/3HP 125VAC IP66
VDE: 10(10)A 250VAC 5E4 T85
5. MECHANICAL LIFE: 50,000 CYCLES
6. CONTACT RESISTANCE: <30 MILLI-OHMS INITIAL
7. DIELECTRIC STRENGTH: 1000V AC 1MIN
8. ▲ DENOTES CRITICAL PARAMETER.
9. INSULATION RESISTANCE: 500M OHMS AT 500VDC
10. OPERATING TEMP: -20°C to 85°C
- ▲ 11. LAMP: NO LAMP
12. RATING: IP66



A	24085	NEW RELEASE	11/7/19	MW
REV	PCR NO	DESCRIPTION	DATE	BY

TITLE RBW2BBLKBLKDF0				
SCALE 1:1	DATE 11/7/2019	DR MW	DWG Y100019	REV A

THE INFORMATION CONTAINED IN THIS DOCUMENT IS PROPRIETARY TO E-SWITCH AND IS NOT TO BE COPIED OR TRANSFERRED